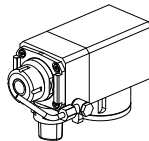
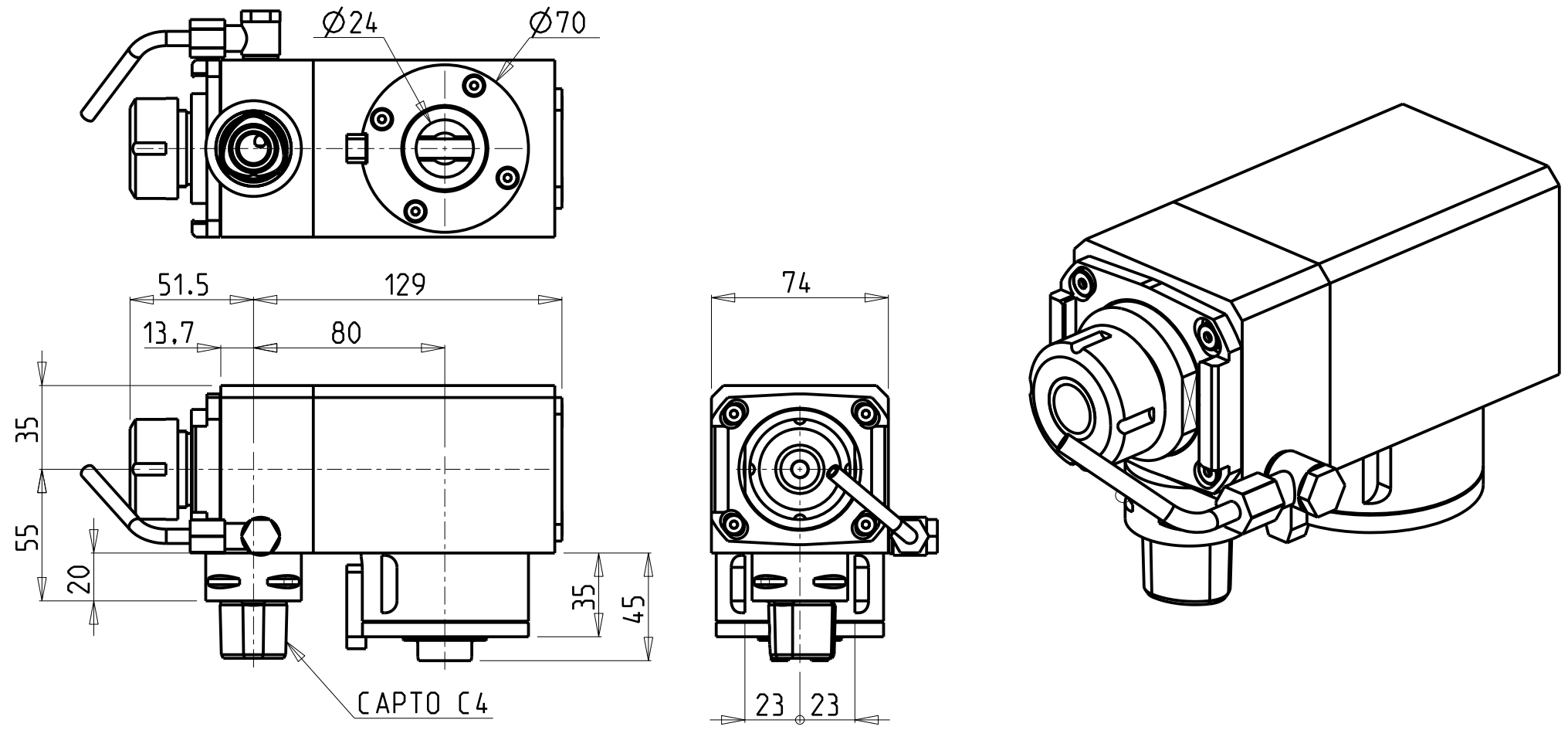


		PAGINA Page Seite
<b>MODULO MOTORIZZATO ASSIALE H=55mm</b> Axial driven tool H=55mm Axial angetriebenes Werkzeug H=55mm		HWC150.5.10

Distributeur/ importateur : Crylax 0033 450 960920 - [info@crylax.com](mailto:info@crylax.com)

Distributeur/ importateur : Crylax 0033 450 960920 - [info@crylax.com](mailto:info@crylax.com)

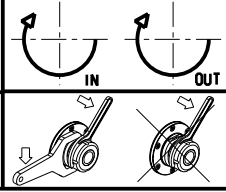


Cod. MT	Mandrino Spindle Spindel	I	RPM	Coppia Max Max Torque Max Drehmoment	Lubr. esterna Ext. coolant Aussenkuehlung	CHIAVI NON INCLUDE Keys not included Schluessel nicht einbegriffen	
SPC1911000	ER25	1:1	6000	50Nm	X	CHSTER25	MNZ0410005 *

- Chiave inclusa
- Key included
- Schluessel inbegriffen

**HW ACHEON**  
 C1 (Stazioni Capto C4 - Capto C4 Stations - Capto C4 Stationen)

MODULO MOTORIZZATO ASSIALE H=55mm  
 Axial driven tool H=55mm  
 Axial angetriebenes Werkzeug H=55mm



**M.T. srl**  
 Via Casino Albini 480  
 Tel. 0541/956034-957884  
 Fax 0541/956341  
 47842 S. GIOVANNI IN M. (RN)  
 e-mail: [mtma@mtmarchetti.com](mailto:mtma@mtmarchetti.com)  
<http://www.mtmarchetti.com>

PRODUZIONE MODULI ROTANTI

PAGINA HWC150-5-10

Subject to change without notice.

Distributeur/ importateur : Crylax 0033 450 960920 - [info@crylax.com](mailto:info@crylax.com)